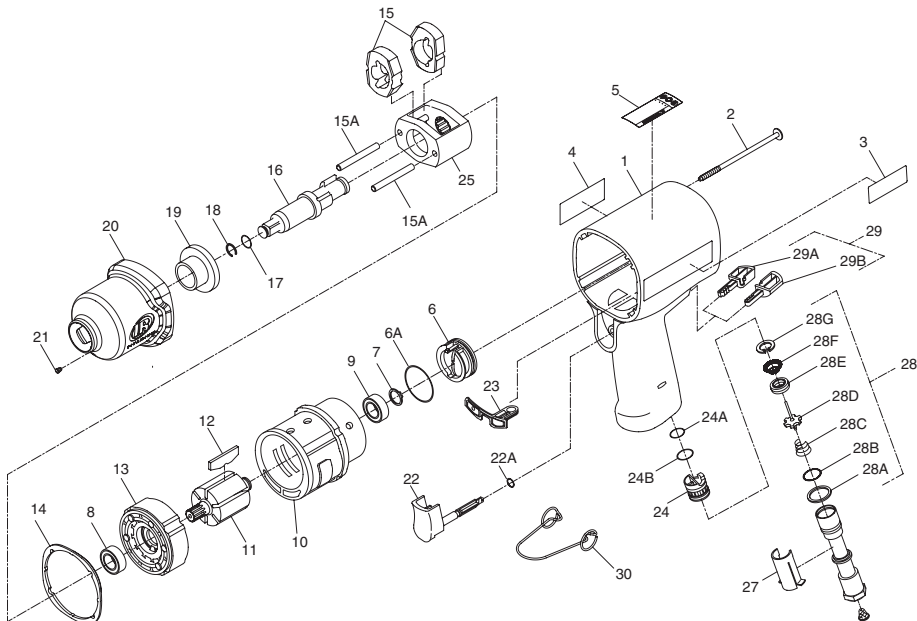


2115Ti, 2115QTi, 2115PTi, 2125PTi and 2125QTi Air Impact Wrench Exploded Diagram



(Dwg. TP2131)

2115Ti, 2115QTi, 2115PTi, 2125PTi and 2125QTi Air Impact Wrench Parts List

Item	Part Description	Part Number	Item	Part Description	Part Number
*	Housing Assy (2115Ti)	2115Ti-A40	7	Retaining Ring	4E-6
	Housing Assy (2115QTi)	2115QTi-A40	8	Front Rotor Bearing	2131-97
	Housing Assy (2115PTi)	2115PTi-A40	9	Rear Rotor Bearing	R00H-97
	Housing Assy (2125PTi)	2125PTi-A40	10	Cylinder	2112-3
	Housing Assy (2125QTi)	2125QTi-A40	11	Rotor	2112-53
1	Housing	---	12	Vane Pack (set of 6)	2112-42-6
3	Nameplate	---	+ 13	End Plate	2112-11
4	Information Label	---	14	Hammer Case Gasket	2112-36
5	Warning Label	---	+ *	Hammer Kit (2115Ti and 2115QTi)	2115-THK1
23	Motor Gasket	---		Hammer Kit (2115PTi)	2115PTi-THK1
24	Reverse Valve	---		Hammer Kit (2125PTi)	2125PTi-THK1
24A	O-Ring, Reverse Valve (top)	---		Hammer Kit (2125QTi)	2125QTi-THK1
24B	O-Ring, Reverse Valve (bottom)	---	14	Hammer Case Gasket	---
29	Button Kit	---	15	Hammer (2)	---
2	Screw, Hammer Case (4 required)	2115-638	15A	Hammer Pin (2)	---
3	Nameplate (2115Ti)	2115Ti-301	16	Anvil Assy	---
	Nameplate (2115QTi)	2115QTi-301	*	Kit Grease	---
	Nameplate (2115PTi)	2115PTi-301	*	Hammer Frame Assy Kit	2115-K703
	Nameplate (2125PTi)	2125PTi-301	25	Hammer Frame	---
	Nameplate (2125QTi)	2125QTi-301	15A	Hammer Pin (2)	---
4	Information Label	2115Ti-300	*	Kit Grease	---
5	Warning Label	WARNING-2-99	*	Anvil Assy (2115Ti and 2115QTi)	2115-A626
*	Power Regulator Assy	2115-D249		Anvil Assy (2115PTi)	2112P-A626
6	Power Regulator	---		Anvil Assy (2125PTi)	2112P-A726
6A	O-Ring, Power Regulator	---		Anvil Assy (2125QTi)	2112-A726

* Not illustrated

+ To keep downtime to a minimum, it is desirable to have on hand certain repair parts. We recommend that you stock one (pair or set) of each part indicated by a (+) for every four tools in service.

Item	Part Description	Part Number	Item	Part Description	Part Number
16	Anvil	---	28C	Spring	---
17	Socket Retainer Spring or O-Ring	---	28D	Valve	---
18	Retaining Ring or Retaining Pin	---	28E	Seat	---
+ *	Socket Retainer Kit (2115Ti and 2115QTi)	2115-K425	28F	Support	---
	Socket Retainer Kit (2115PTi)	2115PTi-K425	28G	Retainer	---
	Socket Retainer Kit (2125PTi)	2125PTi-K425	29	Button Kit	2112-K75
	Socket Retainer Kit (2125QTi)	2125QTi-K425	29A	Forward Button	---
17	Socket Retainer O-Ring or Spring	---	29B	Reverse Button	---
18	Retaining Ring or Retaining Pin	---	*	Tune-Up Kit	2115-TK1
+ 19	Bushing, Hammer Case	2112-641	6A	O-Ring, Power Regulator	---
*	Hammer Case Assy	2115Ti-D727	7	Retaining Ring	---
19	Bushing, Hammer Case	---	8	Front Rotor Bearing	---
20	Hammer Case	---	9	Rear Rotor Bearing	---
21	Grease Fitting	---	12	Vane Pack (set of 6)	---
21	Grease Fitting	DOF9-879	14	Hammer Case Gasket	---
+ *	Trigger Assy	2115-D93	22A	O-Ring-Trigger	---
22	Trigger	---	23	Gasket	---
22A	O-Ring, Trigger	---	24A	O-Ring, Reverse Valve (top)	---
+ 23	Motor Gasket	2112-283	24B	O-Ring, Reverse Valve (bottom)	---
*	Reverse Valve Assy	2131-A329	28	Inlet Parts Kit	---
24	Reverse Valve	---	30	Inlet Clip Removal Tool	2131-322
24A	O-Ring, Reverse Valve (top)	---	*	"Pump-n-Grease" (Grease & Gun Kit)	500C
24B	O-Ring, Reverse Valve (bottom)	---	+ *	Air Care Kit (grease gun, grease, oil)	115-LBK1
25	Hammer Frame	---	*	Grease (replacement tube for -LBK1)	115-4T
* 26	Inlet Bushing Assy (incl. 27, 28)	2135-D565	*	Air Tool Oil (4 oz. Bottle)	1024
27	Inlet Clip	2131-57	*	Grease (1 lb can)	105-1LB
28	Inlet Parts Kit	---	*	Grease (8 lb can)	105-8LB
28A	Washer	2131-K303	*	Kit Grease	105-6GR
28B	O-Ring, Seal	---			

* Not illustrated

+ To keep downtime to a minimum, it is desirable to have on hand certain repair parts. We recommend that you stock one (pair or set) of each part indicated by a (+) for every four tools in service.

Parts and Maintenance

When the life of the tool has expired, it is recommended that the tool be disassembled, degreased and parts be separated by material so that they can be recycled.

Tool repair and maintenance should only be carried out by an authorized Service Center. Refer all communications to the nearest **Ingersoll-Rand** Office or Distributor.

Related Documentation

For additional information refer to:
 Air Impact Wrench Product Safety Information Manual 04580916,
 Air Impact Wrench Product Information Manual 04584702.

Manuals can be downloaded from www.irtools.com.